

KIT PART NUMBER 6138235

INSTRUCTIONS FOR INSTALLING A VALVE SEAT REPLACEMENT KIT IN A NATIONAL VENDORS[®], CROWN SEVENTY TWO[®], HBM-614 HOT BEVERAGE MERCHANDISER

These instructions cover the procedure for installing a Valve Seat Replacement Kit in a National Vendors Crown Seventy Two HBM-614 Hot Beverage Merchandiser. The Spout included with this Kit is a universal replacement for the Short Valve Seat, Part Number 613-8212 and the Long Valve Seat, Part Number 613-8083.

Read these instructions thoroughly and carefully prior to installing the Kit. Retain these instructions for Part Number and installation information.

Kit, Part Number 613-8235, contains the following parts:

Part Number	Description	Quantity
6108085	Thumb Screw, 1/4-20 x 1/2	1
613-8230	Brew Valve Outlet Spout	1
613-8086	O-Ring	1
613-8076	O-Ring	1
613-8088	Diaphragm	1
613-8231	Brew Water Valve Adapter Tube	1
613-8234	Installation Instructions	1
	* * *	

In addition to the parts included with the Kit, the use of Teflon[®] plastic tape is recommended. This tape is available at most hardware stores or through the National Vendors Parts Department, Part Number 311-4044.

TO INSTALL THE KIT

A. PARTS REMOVAL

1. Unlock and open the Cabinet Door.
2. Unplug the Merchandiser's Service Cord.
3. Shut off the Merchandiser's water supply.
4. Drain the Water Tank with the Spray Hose until no more water sprays from the Hose.

WARNING

The Water Tank and Jacket Assembly, and the water contained in it, can be extremely hot. If the Merchandiser has been in operation prior to servicing, exercise caution to avoid possibly severe burns.

5. Remove the Coffee Hopper from the Merchandiser.
6. Remove Brew Water Valve Funnel Cover.

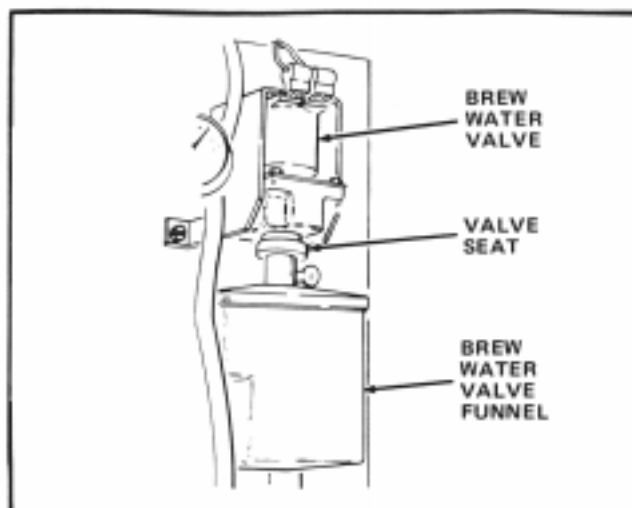


FIGURE 1

7. Loosen the Ring Nut that secures the Valve Seat to the Brew Water Valve and remove the Valve Seat from the Water Valve. See Figure 1.
8. Remove the Thumb Screw from the Valve Seat.
9. Remove the Ring Nut from the Valve Seat and retain the Nut for future use.
10. Remove the Brew Water Valve Assembly from the Merchandiser.
 - (a) Disconnect the two wires from the Brew Water Valve.
 - (b) Remove the 2 Pan Head Screws that secure the Brew Water Valve Assembly to the Water Tank and Jacket Assembly.
 - (c) Pull the Valve Assembly from the Water Tank and Jacket Assembly.
11. Remove the Diaphragm from the Brew Water Valve. See Figure 2.
 - (a) Remove the four Hex Head Screws securing the Valve Body to the Coil and Frame Assembly and retain them for future use.
 - (b) Pull the Valve Body away from the Coil and Frame Assembly.
 - (c) Pull the Plunger from the Diaphragm and discard the Diaphragm.

(d) Remove the O-Ring from the Valve Body.

B. INSTALLATION OF THE KIT

1. Place the O-Ring, Part Number 613-8076, included with this Kit, into the retaining groove in the Valve Body. See Figure 2.
2. Seat the Plunger into the replacement Diaphragm, Part Number 613-8088, included with this Kit.
3. Position the Diaphragm and Plunger inside the Valve Body and place the Spring over the Plunger as shown in Figure 2.
4. Resecure the Valve Body and Coil and Frame Assembly with the four Hex Head Screws.
5. Slide the Ring Nut onto the Brew Valve Outlet Spout, Part Number 613-8230, included with this Kit, as shown in Figure 2.
6. Wrap the threads of the Thumb Screw, Part Number 610-8085, included with this Kit, with one layer of Teflon Tape and screw the Thumb Screw into the Brew Valve Outlet Spout.
7. Slip the O-Ring, Part Number 613-8086, included with this Kit, onto the Spout and slide the O-Ring into the retaining groove.
8. Seat the Spout into the Brew Water Valve and tighten the Ring Nut.

NOTE

If the Valve Seat being replaced is of the Long Type the Spout will not extend into the Brew water Valve Funnel and the Brew Water Adapter Tube, Part Number 613-8231, included with this Kit must be slipped onto the lower end of the Spout.

9. Reverse Steps A2, A3, A5, A6 and A10.
10. Adjust the Thumb Screw for proper Water Throw per the Set-Up Instruction shipped with the Merchandiser.
11. Check the Brew Water Valve for leaks.
12. Close and lock the Cabinet Door.
13. The Merchandiser is ready for vending.

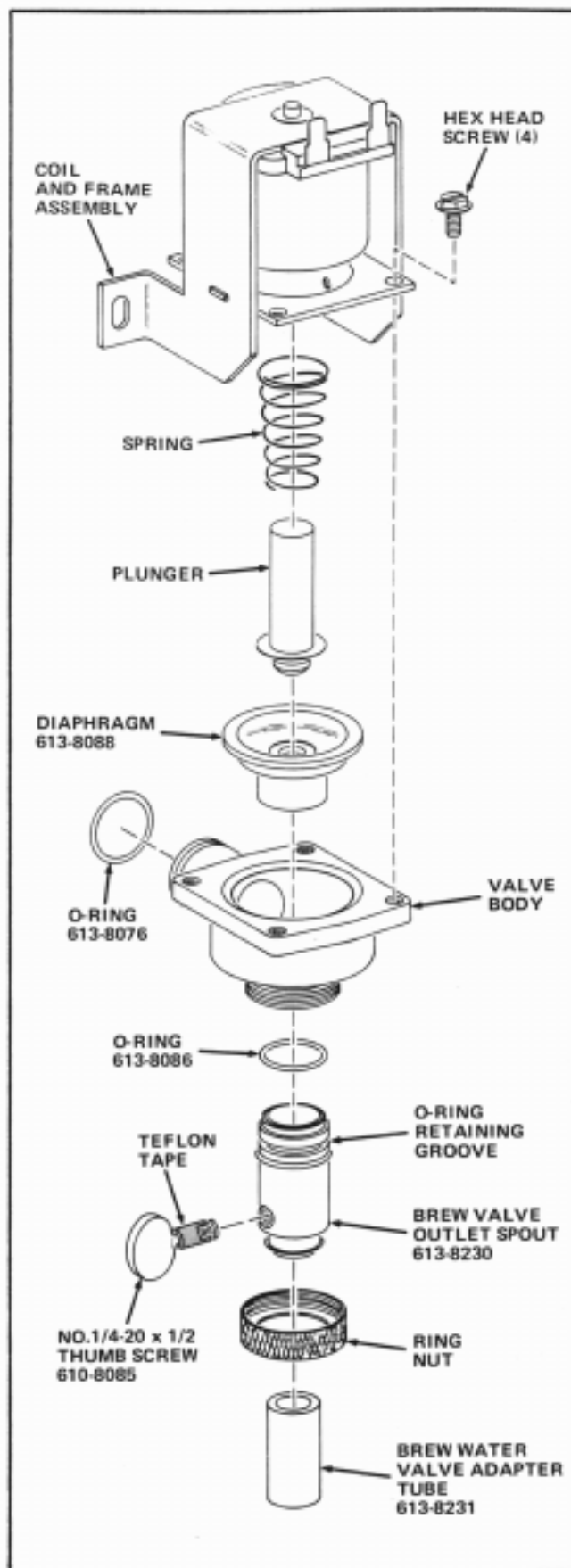


FIGURE 2